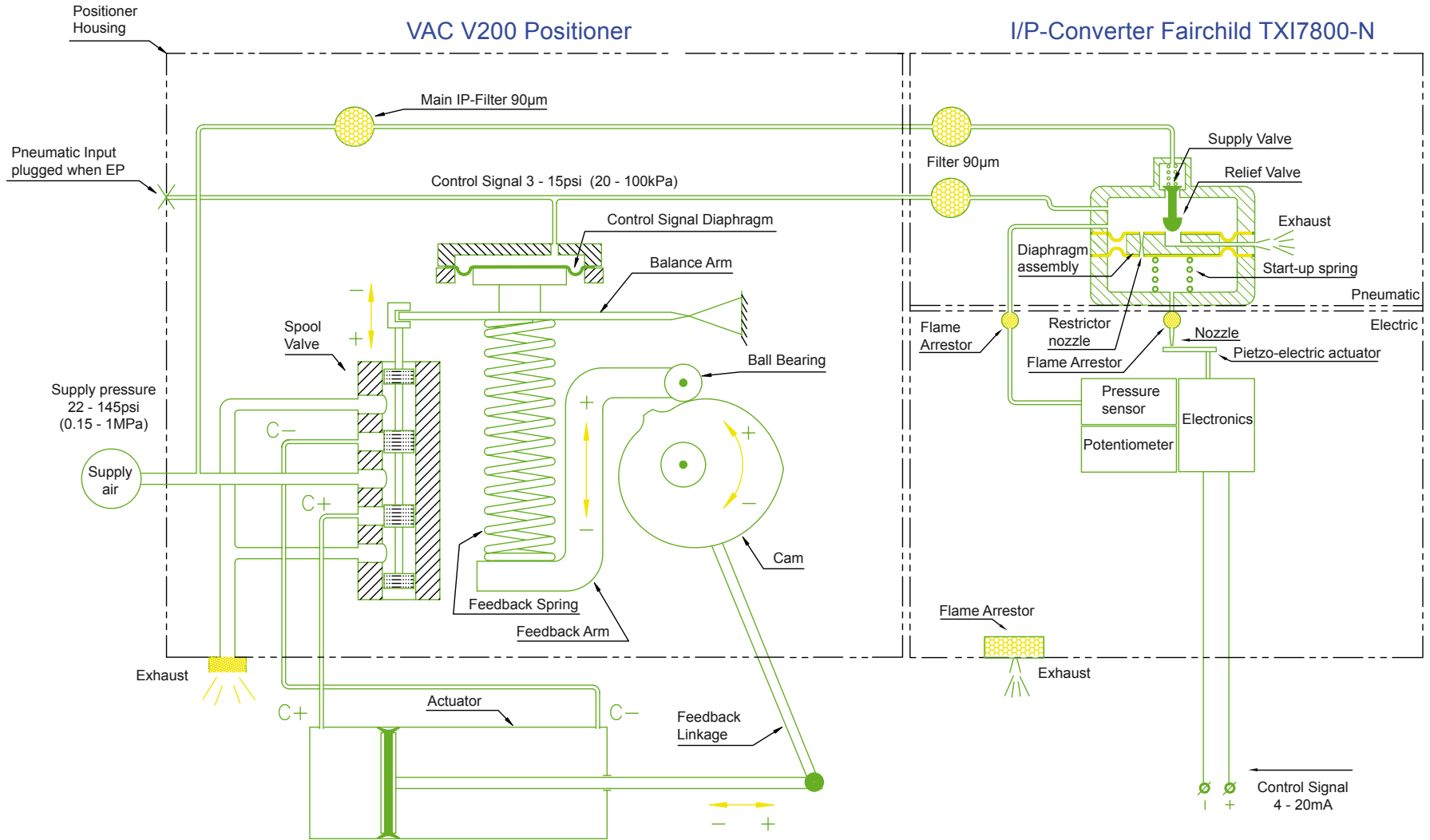


Principle of Operation V200EX-GA (IP FA TXI7800-N)



File: 92150r2_130118_PoO V200EX-GA FA TXI7800-N

Scale 1:1 First angle projection.

Drawn by / date: RT / 121017

This drawing is the property of Valve Accessories & Controls Sweden AB, protected in accordance with prevailing law.

Part no:

92150r2

Revision date:

13 01 18