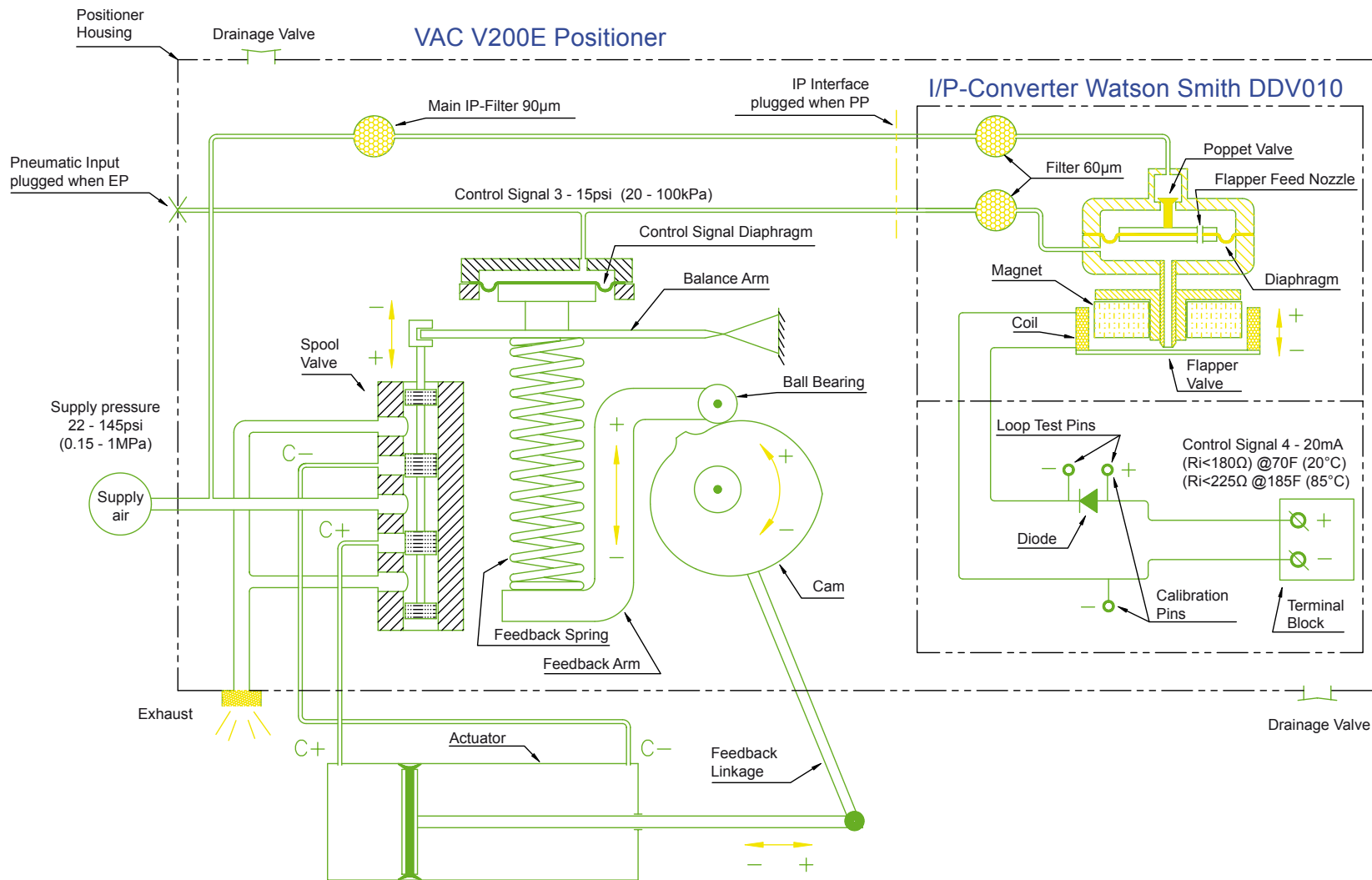


Principle of Operation V200E (IP WS DDV010)



File: 92146r7_130118_PoO V200E WS DDV010

Scale 1:1 First angle projection.

Drawn by / date: RT / 120917

This drawing is the property of Valve Accessories & Controls Sweden AB, protected in accordance with prevailing law.

Part no:

92146r7

Revision date:

13 01 18