

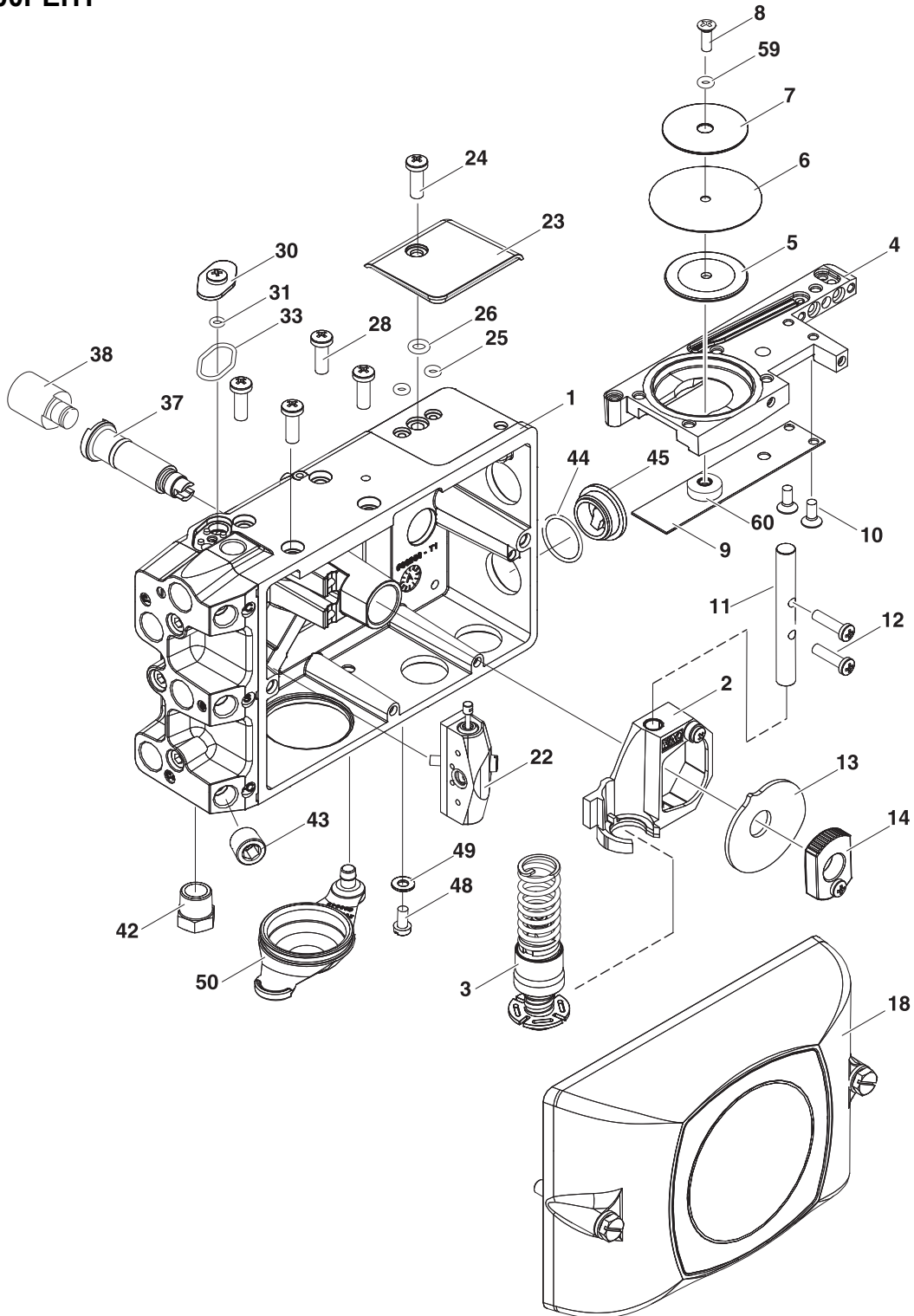


V200 POSITIONER

www.vac.se

SPARE PARTS

V200PEHT





V200 POSITIONER

www.vacaccessories.com

Spare parts list V200PEHT

Item	Description	Material	Part no	Qty	Item	Description	Material	Part no	Qty
1	Housing	Aluminum, Nickel	n/a	1	30	Filter Cover	Stainless Steel	90032	1
	- Bearing 15x8		171508	2		- Screw ISO 7048 M4x8/4	Stainless Steel	7048040804	1
	- Relief Valve Washer	Stainless Steel	90126	1	31	- O-ring Ø3,1x1,6 Q70	Silicone Rubber	OR3,1x1,6Q	1
	- Rubber Washer	Silicone Rubber	90035Q	1	33	- O-ring Ø18,1x1,6 Q70	Silicone Rubber	OR18,1x1,6Q	1
1	- Screw ISO7046 M3x6	Stainless Steel	7046030606	1	37	Drive Shaft	Stainless Steel	90029	1
	- Connection Plate	Aluminum, Nickel	90261N	1		- O-ring Ø12x2 Q70	Silicone Rubber	OR12x2Q	1
	- Connection Plate Gasket	Silicone Rubber	90270Q	1		- O-ring Ø15x2 Q70	Silicone Rubber	OR15x2Q	1
	- Relief valve Spring	Stainless Steel	90271	1	38	Spindle*	Stainless Steel	90092	1
	- Screw ISO 4762 M5x25/25	Stainless Steel	4762052525	3		- Circlip spindle	Stainless Steel	90093	1
2	Feedback Arm Assembled		91002	1	42	Bug Screen / Silencer	Plated Brass	400148	1
	- Feedback Arm	Aluminium	90138	1	43	Screw Plug R1/8"	Stainless Steel	90618	4
	- Ball Bearing	Stainless Steel	100404	1	44	O-ring Ø18,1x1,6 Q70	Silicone Rubber	OR18,1x1,6Q	4
	- Screw ISO 7500C M4x12	Stainless Steel	7500C041212	1	45	Plug M20x1.5 & NPT1/2	Brass Nickel plated	52103125	4
	- Bearing 8x8		100808	2	48	Screw ISO 7048 M4x8/8	Stainless Steel	7048040808	1
3	Feedback Spring Assembled		91018	1	49	Washer ISO 7089-4	Stainless Steel	70894	1
	- Spring Nut	Aluminum, Anodized	90012	1	50	Zero Plug Q	Silicone Rubber	90037Q	1
	- Wrist Pin	Stainless Steel	90013	1	59	- O-ring Ø5x0,8 Q70	Silicone Rubber	OR5x0,8Q	1
	- Range Screw	Aluminum, Anodized	90014	1					
	- Range Nut	Aluminum, Anodized	90015	1					
	- Span Wheel	Stainless Steel	90016	1					
	- Zero Wheel	Aluminum, Anodized	90017	1					
	- Feedback Spring	Stainless Steel	90018	1					
	- Screw ISO 4017 M4x60/60z	Stainless steel	4017046060z	1					
	- Washer DIN 137 KBB6,4	Steel	137B64	1					
	- Washer DIN 7089-4	Stainless Steel	70894	1					
	- Nut ISO 4032 M6M M4	Stainless Steel	93404	1					
4	Membrane Plate III Machined	Aluminum	90204	1					
5	Membrane disc	Aluminum, Anodized	90133	1					
6	Membrane Q/Nomex	Silicone Rubber	90022QN	1					
7	Membrane Washer	Stainless Steel	90009	1					
60	Membrane Disc Spacer	Aluminium	90182	1					
8	Screw ISO 7047 M4x12/12	Stainless Steel	7047041212	1					
9	Balance Arm	Stainless Steel	91003	1					
10	Screw ISO 7047 M4x8/8	Stainless Steel	7047040808	2					
11	Guide Pin	Stainless Steel	90024	1					
12	Screw ISO 7048 M4x16/16	Stainless Steel	7048041616	2					
13	Cam*	Stainless Steel	92031	1					
14	Cam Nut mklI	Aluminium	90113	1					
	- Screw ISO 7048 M4x8/8	Stainless Steel	7048040808	1					
18	Front Cover Assembled PEHT		91001PEHT	1					
	- Front Cover	Alu, Nickel Plated	90124N	1					
	- Screw ISO 4017 M6x40/10z	Stainless Steel	4017064010z	2					
	- Washer ISO 7089-6	Stainless Steel	708906	2					
	- O-ring Ø5,1x1,6 Q70	Silicone Rubber	OR5,1x1,6Q	2					
21	- O-ring Ø166x2 Q70	Silicone Rubber	OR166x2Q	1					
22	Pilot Valve SG (1)		91010	1					
	- Pilot Valve HG (2)		91008	1					
	- Pilot Valve SHG (3)		91009	1					
	- Pilot Valve SHGHF (4)		91019	1					
	- Pilot Valve LB		91020	1					
	- Valve Block	Aluminium	n/a	1					
	- Valve Bushing	Stainless Steel	n/a	3					
	- Spool	Stainless Steel, Gold plated	n/a	1					
	- O-ring Ø7,65x1,63 Q70	Silicone rubber	OR7,65x1,63Q	5					
	- Screw ISO 4017 M5x30/10	Stainless Steel	4017053010	1					
23	Cover plate Nickel Plated	Alu, Nickel plated	90080N	1					
24	Screw ISO 7048 M5x14	Stainless Steel	7048051414	1					
25	O-ring Ø3x2 Q70	Nitrile Rubber	OR3x2Q	2					
26	O-ring Ø5x2 Q70	Nitrile Rubber	OR5x2Q	1					
28	Screw ISO 7048 M5x14	Stainless Steel	7048051414	4					

*Cam with other ranges, front labels with other scale readings and spindles suitable for the most frequently used actuator types, are available.