

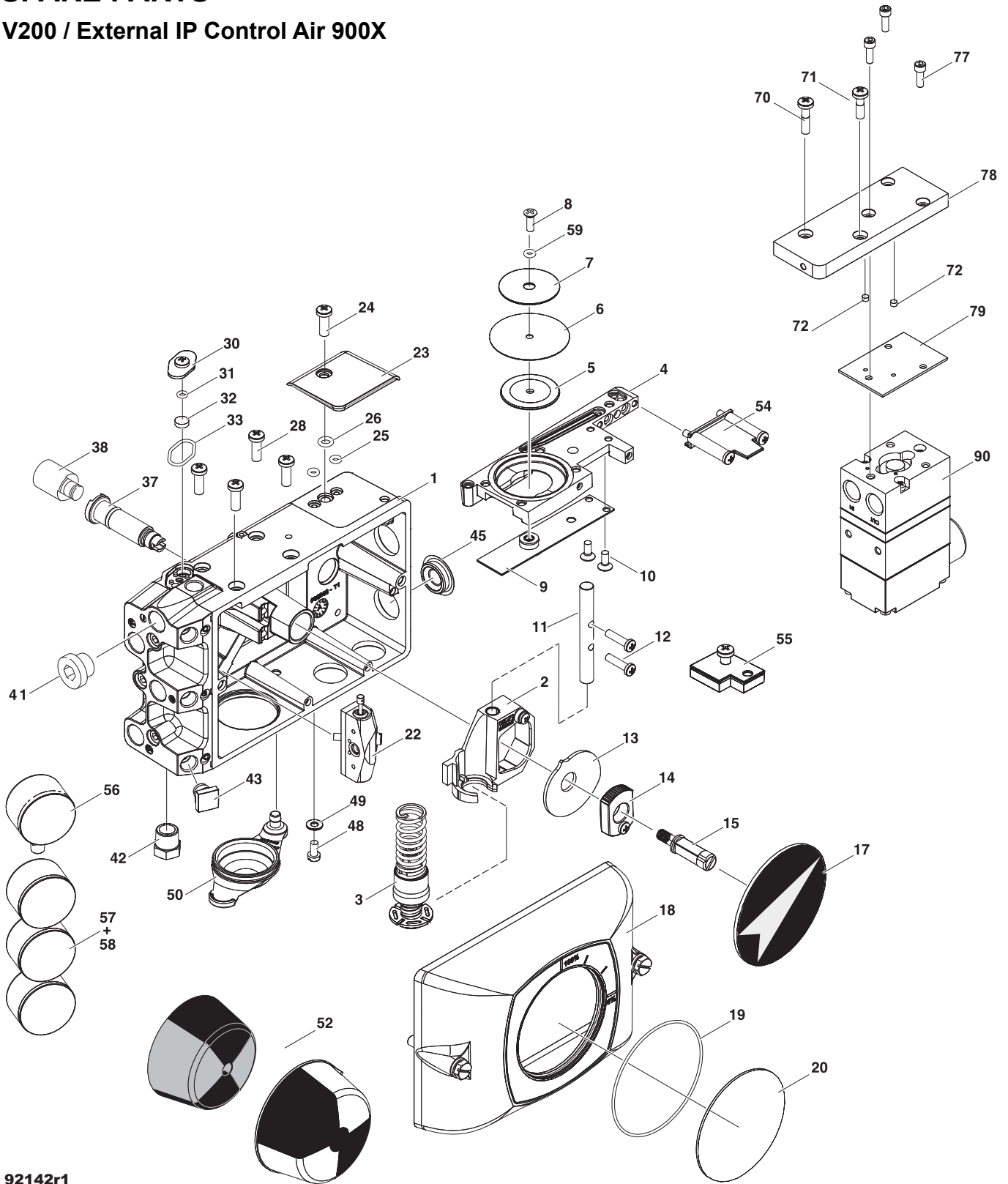


# V200 POSITIONER

[www.vac.se](http://www.vac.se)

## SPARE PARTS

V200 / External IP Control Air 900X



92142r1



# V200 POSITIONER

www.vacaccessories.com

## Spare parts list V200 / External IP Control Air 900X

Item	Description	Material	Part no	Qty	Item	Description	Material	Part no	Qty
1	Housing	Aluminum, painted	n/a	1	23	Cover plate	Aluminum, painted	90080P7035	1
	- Bearing 15x8		171508	2	24	Screw ISO 7048 M5x14	Stainless Steel	7048051414	1
	- Relief Valve Washer	Stainless Steel	90126	1	25	O-ring Ø3x2 NBR70	Nitrile Rubber	OR3x2NBR	2
	- Rubber Washer	Nitrile Rubber	90035NBR	1	26	O-ring Ø5x2 NBR70	Nitrile Rubber	OR5x2NBR	1
	- Connection Plate	Aluminium Painted	90261	1	28	Screw ISO 7048 M5x14	Stainless Steel	7048051414	4
	- Connection Plate Gasket	Nitrile Rubber	90270NBR	1	30	Filter Cover	Stainless Steel	90032	1
	- Relief valve Spring	Stainless Steel	90271	1		- Screw ISO 7048 M4x8/4	Stainless Steel	7048040804	1
	- Screw ISO 4762 M5x25/25	Stainless Steel	4762052525	3	31	O-ring Ø3,1x1,6 NBR70	Nitrile Rubber	OR3,1x1,6NBR	1
	- Cover Cap M5 DIN 912	Platic <PE LD>	039000522003	3	32	Main Filter	Plastic <PP>	90033	1
2	Feedback Arm Assembled		91002	1	33	O-ring Ø17,5x1,5 NBR70	Nitrile Rubber	OR17,5x1,5NBR	1
	- Feedback Arm	Aluminum, painted	90006	1	37	Drive Shaft	Stainless Steel	90029	1
	- Ball Bearing	Stainless Steel	100404	1		- O-ring Ø12x2 NBR70	Nitrile Rubber	OR12x2NBR	1
	- Screw ISO 7500C M4x12	Stainless Steel	7500C041212	1		- O-ring Ø15x2 NBR70	Nitrile Rubber	OR15x2NBR	1
	- Bearing 8x8		100808	2	38	Spindle*	Stainless Steel	90092	1
3	Feedback Spring Assembled		91018	1		- Circlip spindle	Stainless Steel	90093	1
	- Spring Nut mk III	Zink	90149	1	41	Plug 1/4"	Brass, Nickel plated	261014	1
	- Range Screw mk III	Zink	90146	1	42	Bug Screen / Silencer	Plated Brass	400148	1
	- Range Nut L	Zink	90147	1	43	Plug 1/8"	Plastic <PA>	90103	4
	- Range Nut R	Zink	90148	1	45	Plug Conduit Holes	Plastic <PE HD>	90136	4
	- Top Disc	Zink	90150	1	48	Screw ISO 7048 M4x8/8	Stainless Steel	7048040808	1
	- Knurled Knob M4 flat	Plastic <PA>	037040259905	1	49	Washer ISO 7089-4	Stainless Steel	70894	1
	- Feedback Spring	Stainless Steel	90018	1	50	Zero Plug	Nitrile Rubber	90037	1
	- Screw ISO 4017 M4x60/60z	Stainless steel	4017046060z	1	52	Dome Indicator B/Y Kit		93008	1
	- Washer DIN 137B44	Steel, Zinkplated	137B44	1		- Dome Indicator B/Y	Plastic <PC/ABS>	92062	1
	- Washer ISO 7089-4	Stainless Steel	708904	1		- Circlip Indicator Flat	Stainless Steel	90137	1
	- Nut ISO 4032 M6M M4	Stainless Steel	93404	1		- Dome Indicator Cover	Plastic <PC>	90044	1
	- Washer ISO 7093-4	Stainless Steel	709304	1	53	IP converter		91006	1
	- Spring Clip mk III	Steel	90151	1		- Screw ISO 7045 M4x35/10	Stainless Steel	7045043510	2
4	Membrane Plate with tube	Aluminum	92177	1		- Pin FRP 6x22 Ni	Steel, Nickel plated	87520622	2
	- Brass tube	Brass	n/a	1		- Washer ISO 7089-4	Stainless Steel	70894	2
	- O-ring Ø3x2 NBR70	Nitrile Rubber	OR3x2NBR	3	54	V200 E to P Conversion Plate		91000	1
	- O-ring Ø38x2 NBR70	Nitrile Rubber	OR38x2NBR	1		- Sealing plate mkII	Zink	90156	1
	- O-ring Ø7x2 NBR70	Nitrile Rubber	OR7x2NBR	1		- Screw ISO 7045 M4x35/10	Stainless Steel	7045043510	2
5	Membrane disc	Aluminum	90133	1	55	Stability Kit**		93027	1
6	Membrane	Nitrile Rubber	90180NP	1		- Stability Plate Upper	Aluminum, Anodized	90039	1
7	Membrane Washer	Stainless Steel	90009	1		- Stability Plate Lower	Aluminum, Anodized	90040	1
8	Screw ISO 7047 M4x12/12	Stainless Steel	7047041212	1		- Screw ISO 7048 M5x14/14	Stainless Steel	7048051414	1
9	Balance Arm	Stainless Steel	91003	1		- Rubber Plug	Nitrile Rubber	90036	1
10	Screw ISO 7047 M4x08/08	Stainless Steel	7047040808	2	56***	Gauge 0-30psi Bottom mount	Aluminum	400502	1
11	Guide Pin	Stainless Steel	90024	1	57***	Gauge 0-30psi Back mount	Aluminum	400500	1
12	Screw ISO 7048 M4x16/16	Stainless Steel	7048041616	2	58***	Gauge 0-160psi Back mount	Aluminum	400501	3
13	Cam*	Stainless Steel	92031	1	59	O-ring Ø5x0,8 NBR70	Nitrile Rubber	OR5x0,8NBR	1
14	Cam Nut	Zink	90096	1	70	Screw ISO1207 M5x20/12	Stainless Steel	1207052012	1
	- Screw ISO 7048 M4x8/8	Stainless Steel	7048040808	1	71	Screw ISO1207 M5x16/10	Stainless Steel	1207051610	1
15	Indicator Screw	Zink	90096	1	72	Protection Filter External IP	Plastic <PP>	90047	2
17	Indicator Arrow	Plastic <PC/ABS>	90049A	1	77	Screw UC6S 8-32x13/13	Stainless Steel	476208321313	3
	Indicator Flag	Plastic <PC/ABS>	90049F	1	78	Mounting Plate IP CA P7035	Aluminium, Painted	90078P7035	1
	- Circlip Indicator Flat	Stainless Steel	90137	1	79	Rubber Gasket IP CA 900X	Nitrile Rubber	90094	1
18	Front Cover Assembled		91001	1	94	IP Converter Control Air 900X			1
	- Front Cover	Aluminum, painted	90004	1					
	- Screw ISO 4017 M6x40/10z	Stainless Steel	4017064010z	2					
	- Washer ISO 7089-6	Stainless Steel	708906	2					
	- O-ring Ø5,1x1,6 NBR70	Nitrile Rubber	OR5,1x1,6NBR	2					
	- Front label 0-90-0 (std)*	Plastic <PC>	92018	1					
19	O-ring Ø70x1,5 NBR70	Nitrile Rubber	OR70x1,5NBR	1					
20	Indicator cover	Plastic <PC>	90038	1					
21	O-ring Ø160x2 NBR70	Nitrile Rubber	OR160x2NBR	1					
22	Pilot Valve SG (1)		91010	1					
	Pilot Valve HG (2)		91008	1					
	Pilot Valve SHG (3)		91009	1					
	Pilot Valve SHGHF (4)		91019	1					
	Pilot Valve LB		91020	1					
	- Valve Block	Aluminium	n/a	1					
	- Valve Bushing	Stainless Steel	n/a	3					
	- Spool	Stainless Steel, Gold plated	n/a	1					
	- O-ring Ø7,65x1,63 NBR70	Nitrile rubber	OR7,65x1,63NBR	5					
	- Screw ISO 4017 M5x30/10	Stainless Steel	4017053010	1					

\*Cam with other ranges, front labels with other scale readings and spindles suitable for the most frequently used actuator types, are available.

\*\* Certain valve/actuator packages may need additional field stability, which can be accomplished with the stability kit (100% to 300% - depending on orientation of the kit).

\*\*\*Gauges available as an option. Also available in stainless steel.

.....0-30 psi for I port  
.....0-160 psi for C+,C- and S port